

TSL12S, TSL13S, TSL14S

Light-to-Voltage Converters

General Description

The TSL12S, TSL13S, and TSL14S are cost-optimized, highly integrated light-to-voltage optical sensors, each combining a photodiode and a transimpedance amplifier (feedback resistor = 80M Ω , 20M Ω , and 5M Ω , respectively) on a single monolithic integrated circuit. The photodiode active area is 0.5mm \times 0.5mm and the sensors respond to light in the range of 320nm to 1050nm. Output voltage is linear with light intensity (irradiance) incident on the sensor over a wide dynamic range. These devices are supplied in a 3-lead clear plastic sidelooker package (S).

Ordering Information and Content Guide appear at end of datasheet.

Key Benefits & Features

The benefits and features of TSL12S, TSL13S, and TSL14S Light-to-Voltage Converters are listed below:

Figure 1:
Added Value of Using TSL12S, TSL13S, and TSL14S

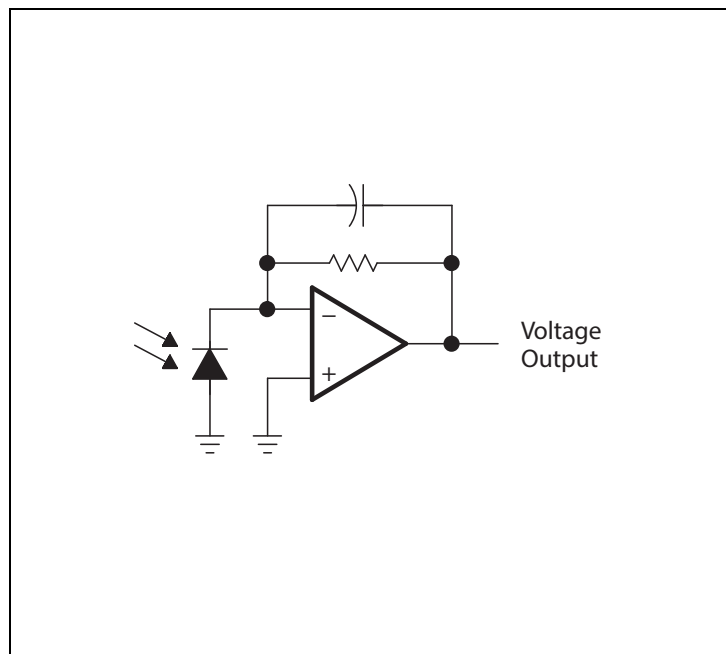
Benefits	Features
<ul style="list-style-type: none"> Enables extremely fast response to change 	<ul style="list-style-type: none"> Single photo-diode and transimpedance architecture
<ul style="list-style-type: none"> Enables fast response to visible light in range of 400nm to 700nm wavelengths 	<ul style="list-style-type: none"> 10μs output rise-time response (TSL12S)
<ul style="list-style-type: none"> Provides for high sensitivity to detect a small change in light 	<ul style="list-style-type: none"> High irradiance responsivity 246mV/(μW/cm²) @ λ_p = 640nm (TSL12S)
<ul style="list-style-type: none"> Provides additional sensitivity advantages 	<ul style="list-style-type: none"> 2x gain lense

- Converts light intensity to output voltage
- Monolithic silicon IC containing photodiode, transconductance amplifier, and feedback components
- Single-supply operation: 2.7V to 5.5V
- Low supply current: 1.1mA typical
- Sidelooker 3-lead plastic package

Block Diagram

The functional blocks of this device are shown below:

Figure 2:
TSL12S, TSL13S, and TSL14 Block Diagram



Pin Assignment

The TSL12S, TSL13S, and TSL14S pin assignments are described below.

Figure 3:
Pin Diagram

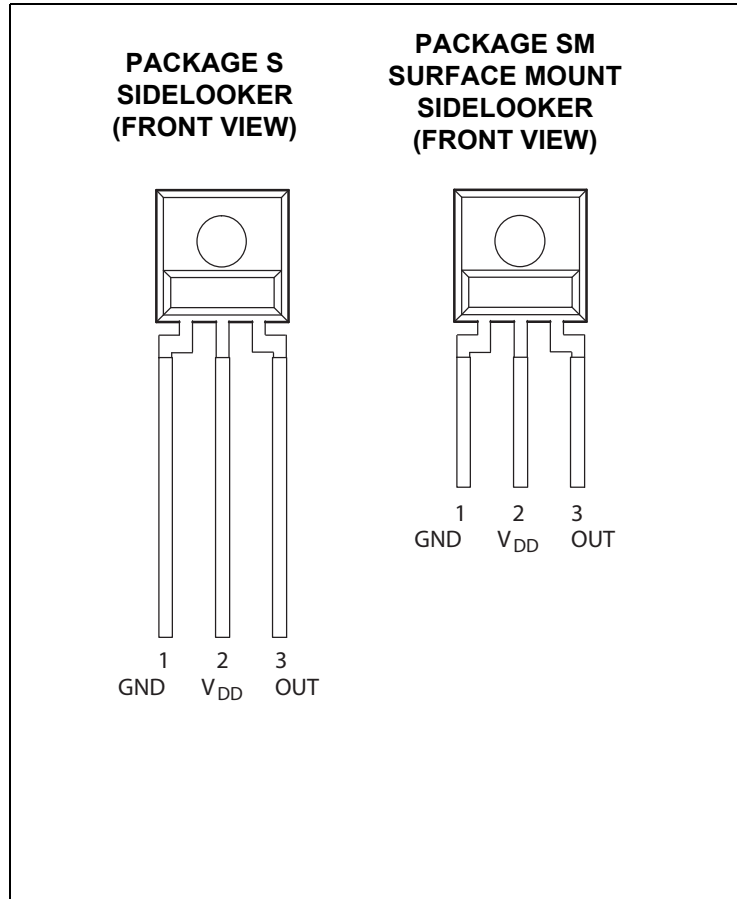


Figure 4:
Terminal Functions

Terminal		Type	Description
No.	Name		
1	GND		Power supply ground (substrate). All voltages are referenced to GND.
2	V _{DD}		Supply voltage.
3	OUT	O	Output voltage.

Absolute Maximum Ratings

Stresses beyond those listed under [Absolute Maximum Ratings](#) may cause permanent damage to the device. These are stress ratings only. Functional operation of the device at these or any other conditions beyond those indicated under [Operating Conditions](#) is not implied. Exposure to absolute maximum rating conditions for extended periods may affect device reliability.

Figure 5:
Absolute Maximum Ratings over Operating Free-Air Temperature Range (unless otherwise noted)

Symbol	Parameter	Min	Max	Unit
V_{DD}	Supply voltage ⁽¹⁾		6	V
I_O	Output current		±10	mA
	Duration of short-circuit current at (or below) 25°C ⁽²⁾		5	s
T_A	Operating free-air temperature range ⁽²⁾	-25	85	°C
T_{strg}	Storage temperature range	-25	85	°C
	Lead temperature 1.6mm (1/16 inch) from case for 10 seconds (S Package)		260	°C
	Reflow solder, in accordance with J-STD-020C or J-STD-020D (SM Package)		260	°C

Note(s):

1. All voltage values are with respect to GND.
2. Output may be shorted to supply.

Electrical Characteristics

All limits are guaranteed. The parameters with min and max values are guaranteed with production tests or SQC (Statistical Quality Control) methods.

Operating Conditions

All defined tolerances for external components in this specification need to be assured over the whole operation condition range and also over lifetime.

Figure 6:
Recommended Operating Conditions

Symbol	Parameter	Min	Nom	Max	Unit
V_{DD}	Supply voltage	2.7		5.5	V
T_A	Operating free-air temperature	0		70	°C

Figure 7: Electrical Characteristics at $V_{DD} = 5V$, $T_A = 25^\circ C$, $\lambda_p = 640nm$, $R_L = 10k\Omega$ (unless otherwise noted)⁽¹⁾, (2), (3)

Symbol	Parameter	Test Conditions	TSL12S			TSL13S			TSL14S			Unit	
			Min	Typ	Max	Min	Typ	Max	Min	Typ	Max		
V_{OM}	Maximum output voltage		4.6	4.9		4.6	4.9		4.6	4.9		V	
V_O	Output voltage	$E_e = 8\mu W/cm^2$	1.5	2	2.5								
		$E_e = 31\mu W/cm^2$				1.5	2	2.5					
		$E_e = 120\mu W/cm^2$							1.5	2	2.5		
		$E_e = 16\mu W/cm^2$		4									
		$E_e = 62\mu W/cm^2$											
		$E_e = 240\mu W/cm^2$								4			
R_e	Irradiance responsivity	See note (4)		248			64			16		mV/ ($\mu W/cm^2$)	
V_{OS}	Extrapolated offset voltage	See note (4)	-0.02	0.03	0.08	-0.02	0.03	0.08	-0.02	0.03	0.08	V	
V_d	Dark voltage	$E_e = 0$	0		0.08	0		0.08	0		0.08	V	

Symbol	Parameter	Test Conditions	TSL12S			TSL13S			TSL14S			Unit
			Min	Typ	Max	Min	Typ	Max	Min	Typ	Max	
I _D	Supply current	E _e = 8μW/cm ²		1.1	1.7							mA
		E _e = 31μW/cm ²					1.1	1.7				
		E _e = 120μW/cm ²							1.1	1.7		

Note(s):

1. Measurements are made with R_L = 10kΩ between output and ground.
2. Optical measurements are made using small-angle incident radiation from an LED optical source.
3. The 640nm input irradiance E_e is supplied by an AlInGaP LED with peak wavelength λ_p = 640nm.
4. Irradiance responsivity is characterized over the range V_O = 0.2 to 4V. The best-fit straight line of Output Voltage V_O versus irradiance E_e over this range may have a positive or negative extrapolated V_O value for E_e = 0. For low irradiance values, the output voltage V_O versus irradiance E_e characteristic is non linear with a deviation toward V_O = 0. E_e = 0 origin from the best-fit straight line referenced above.

Figure 8:
Dynamic Characteristics at $V_{DD} = 5V$, $T_A = 25^\circ C$, $\lambda_p = 640nm$, $R_L = 10k\Omega$ (unless otherwise noted) (9), (10)

Symbol	Parameter	Test Conditions	TSL12S			TSL13S			TSL14S			Unit
			Min	Typ	Max	Min	Typ	Max	Min	Typ	Max	
t_{dr}	Output pulse delay time for rising edge (0% to 10%)	Min $V_O = 0V$; Peak $V_O = 2V$		13						0.9		μs
		Min $V_O = 0.5V$; Peak $V_O = 2V$		2.3						0.6		
t_r	Output pulse rise time (10% to 90%)	Min $V_O = 0V$; Peak $V_O = 2V$		20						2.6		μs
		Min $V_O = 0.5V$; Peak $V_O = 2V$		10						2.9		
t_{df}	Output pulse delay time for falling edge (100% to 90%)	Min $V_O = 0V$; Peak $V_O = 2V$		2.3						0.8		μs
		Min $V_O = 0.5V$; Peak $V_O = 2V$		2.2						0.7		
t_f	Output pulse fall time (90% to 10%)	Min $V_O = 0V$; Peak $V_O = 2V$		10						2.9		μs
		Min $V_O = 0.5V$; Peak $V_O = 2V$		9						2.8		

Parameter Measurement Information

Figure 9:
Switching Times: Test Circuit

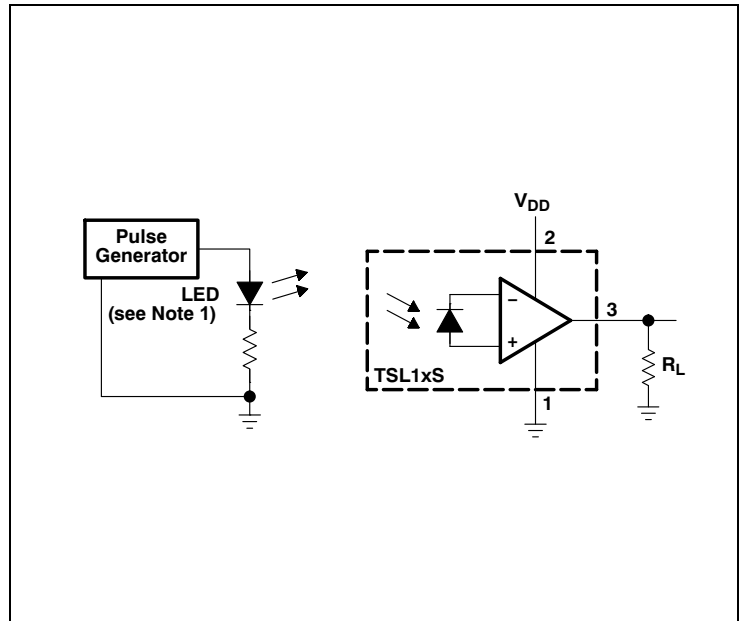
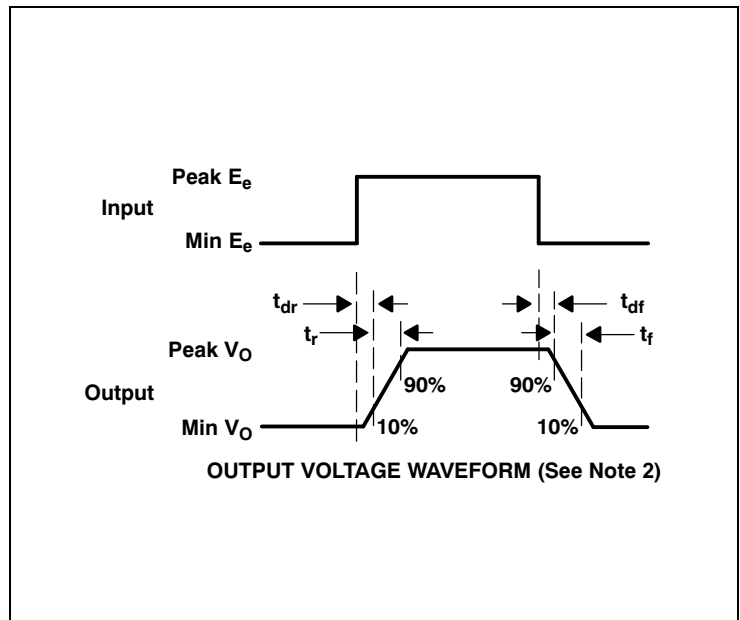


Figure 10:
Switching Times: Output Voltage Waveform



Note(s):

1. The input irradiance is supplied by a pulsed AlInGaP light-emitting diode with the following characteristics: $\lambda_p = 640\text{nm}$, $t_r < 1\mu\text{s}$, $t_f < 1\mu\text{s}$.
2. The output waveform is monitored on an oscilloscope with the following characteristics: $t_r < 100\text{ns}$, $Z_i \geq 1\text{M}\Omega$, $C_i \leq 20\text{pF}$.

Typical Operating Characteristics

Figure 11:
Photodiode Spectral Responsivity

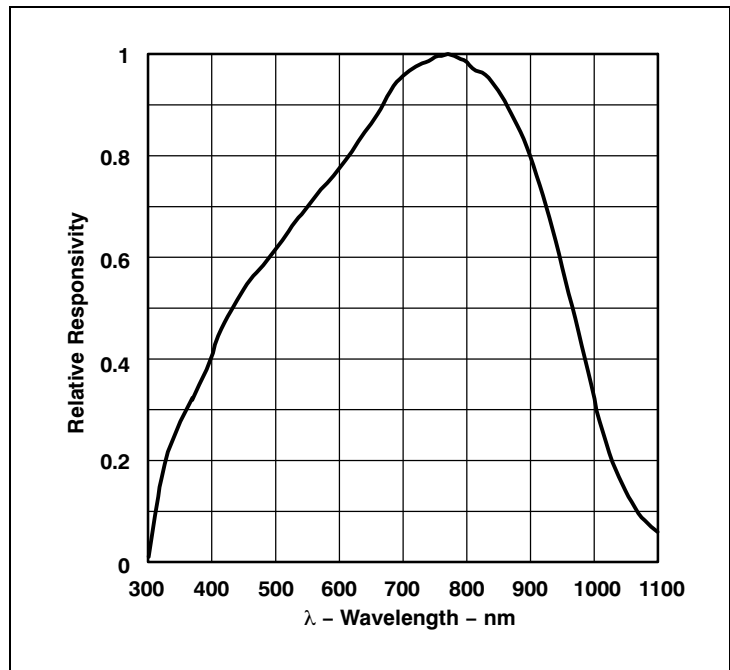
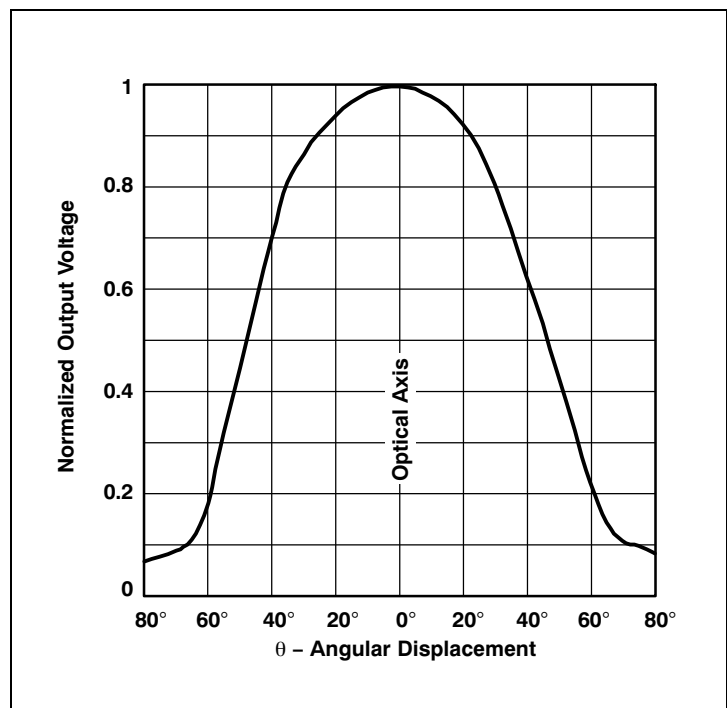


Figure 12:
Normalized Output Voltage vs. Angular Displacement



TSL12S

Figure 13:
Rising Edge Dynamic Characteristics vs. Peak Output Voltage

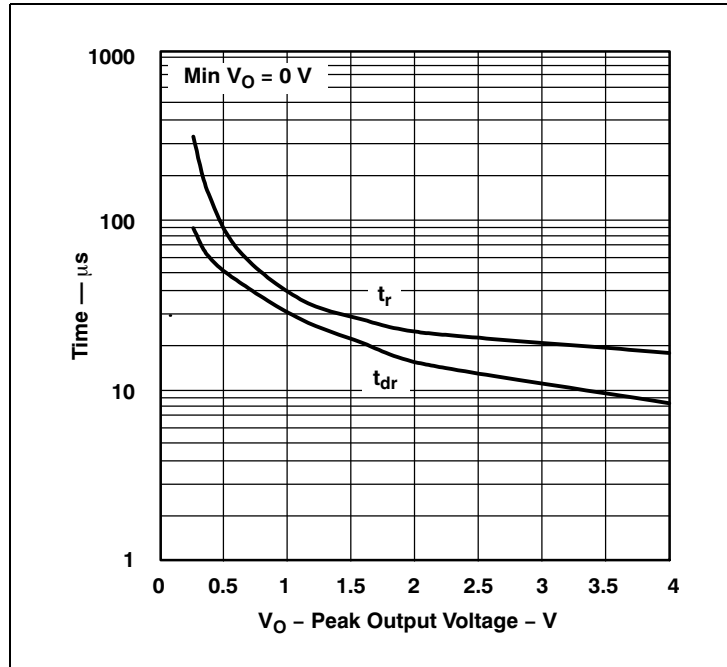


Figure 14:
Rising Edge Dynamic Characteristics vs. Peak Output Voltage

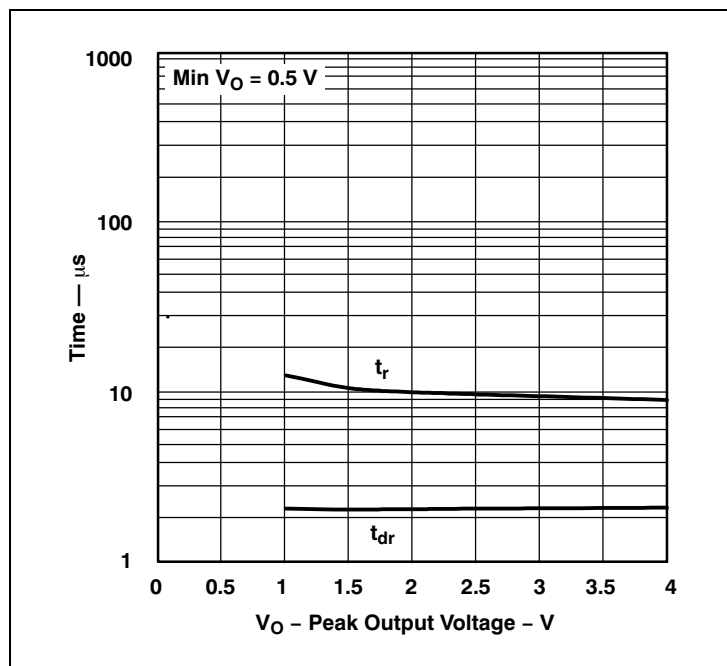


Figure 15:
Falling Edge Dynamic Characteristics vs. Peak Output Voltage

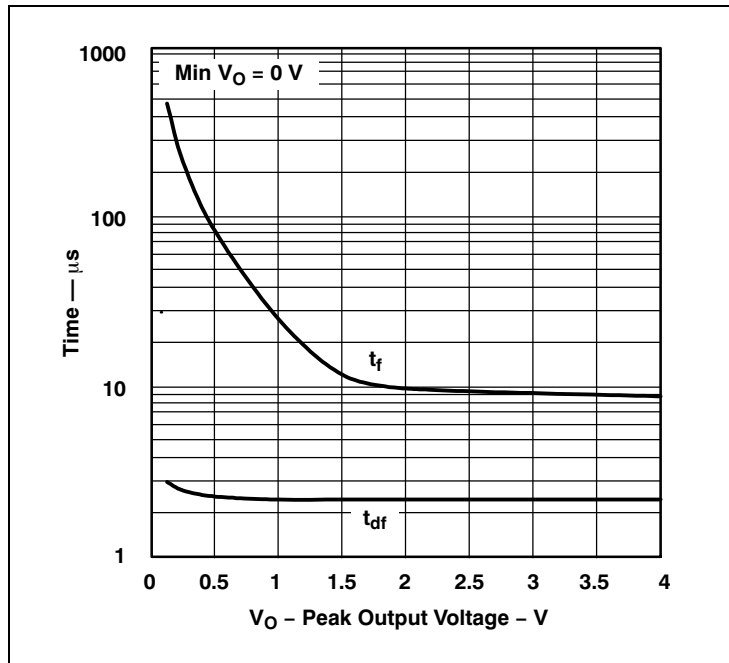
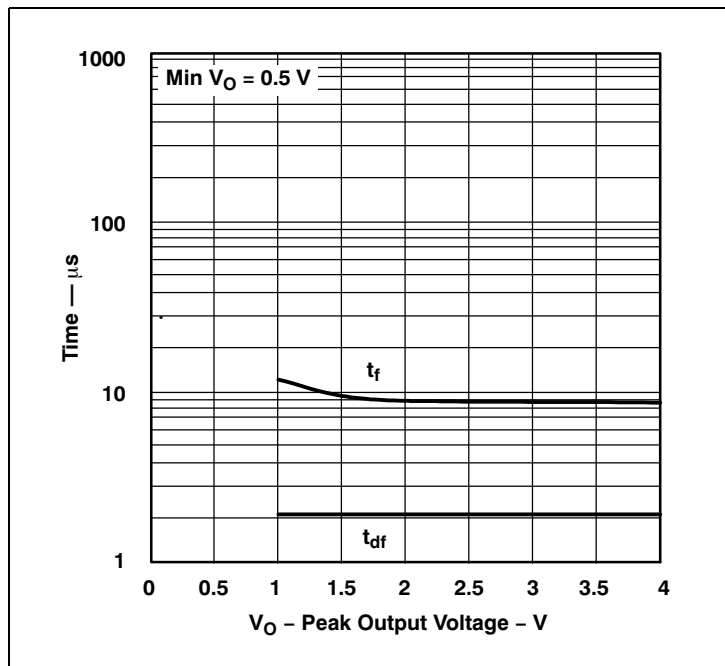


Figure 16:
Falling Edge Dynamic Characteristics vs. Peak Output Voltage



TSL13S

Figure 17:
Rising Edge Dynamic Characteristics vs. Peak Output Voltage

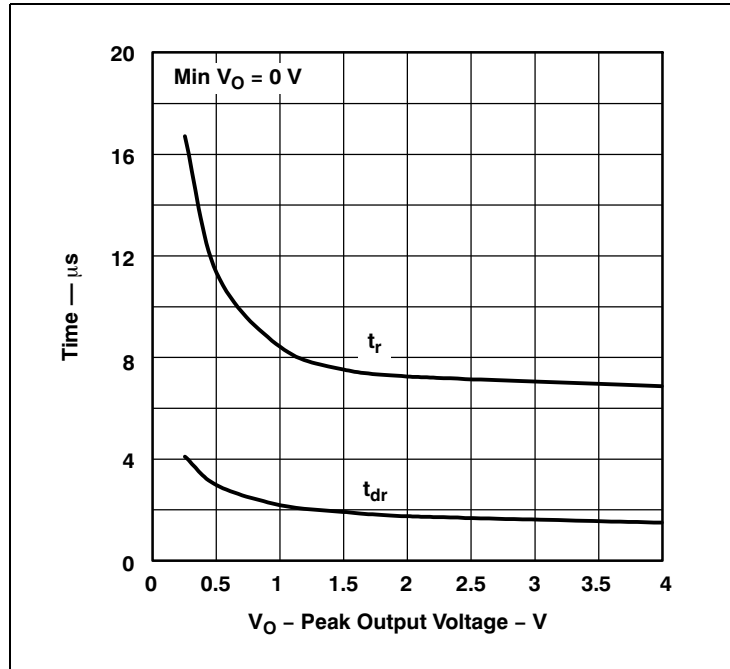


Figure 18:
Rising Edge Dynamic Characteristics vs. Peak Output Voltage

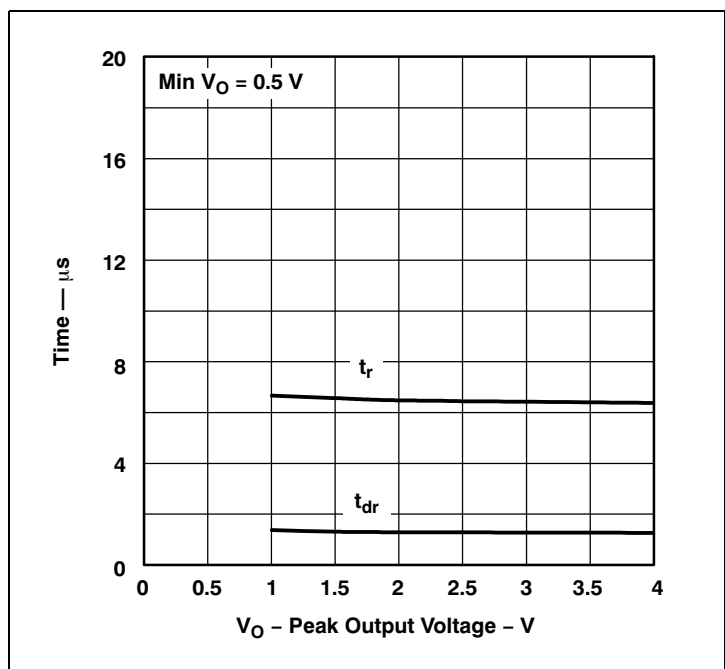


Figure 19:
Falling Edge Dynamic Characteristics vs. Peak Output Voltage

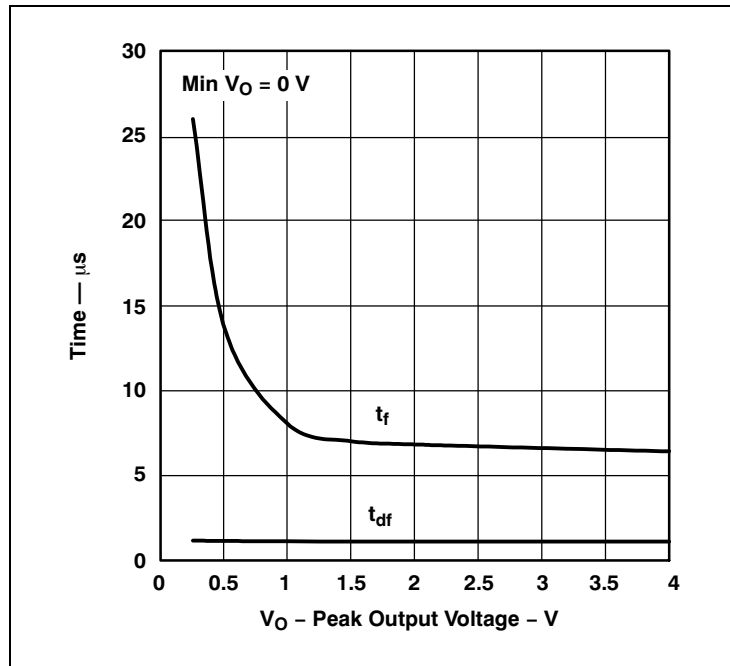
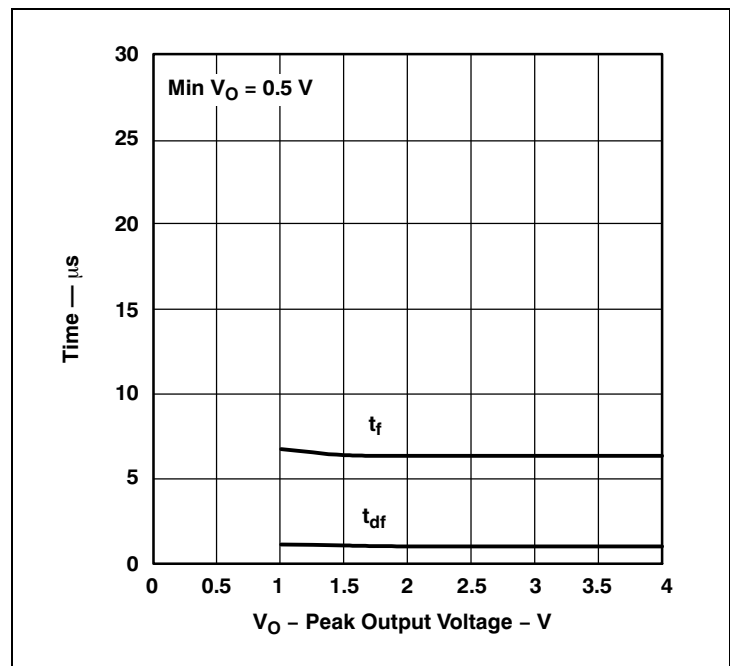


Figure 20:
Falling Edge Dynamic Characteristics vs. Peak Output Voltage



TSL14S

Figure 21:
Rising Edge Dynamic Characteristics vs. Peak Output Voltage

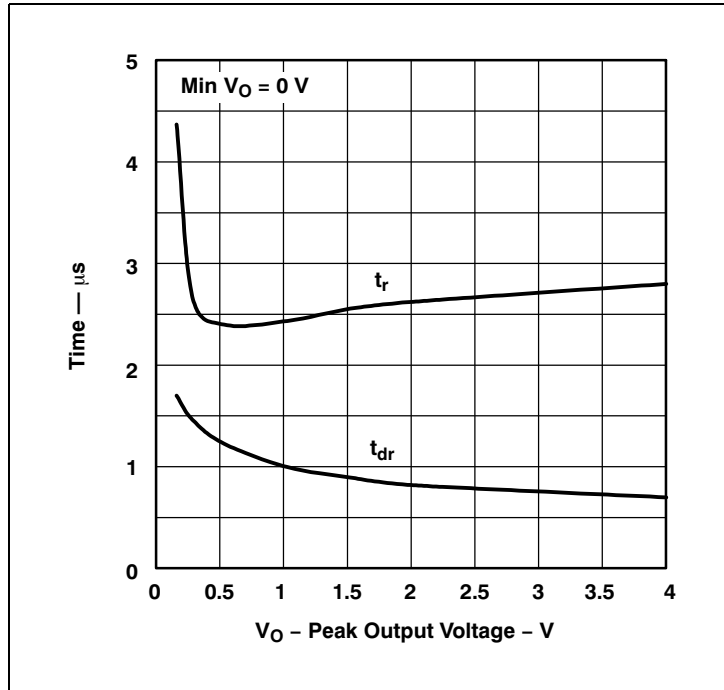


Figure 22:
Rising Edge Dynamic Characteristics vs. Peak Output Voltage

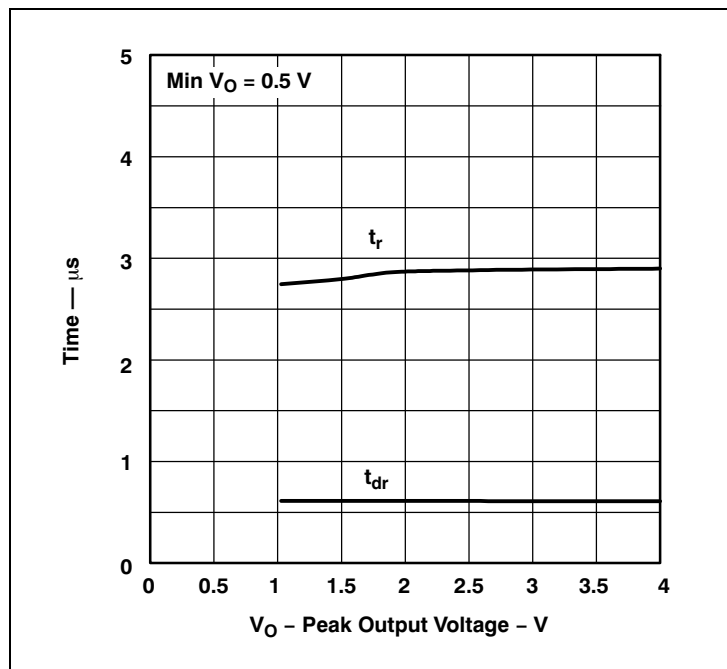


Figure 23:
Falling Edge Dynamic Characteristics vs. Peak Output Voltage

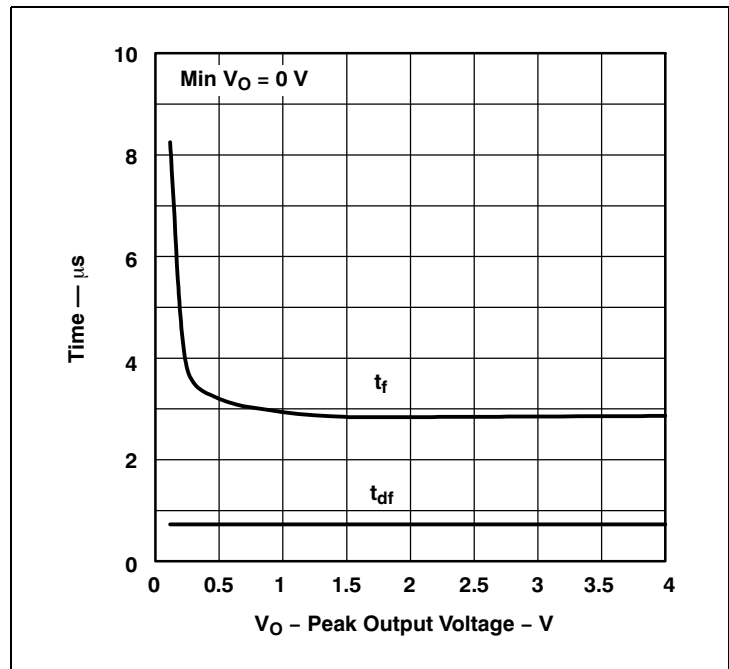
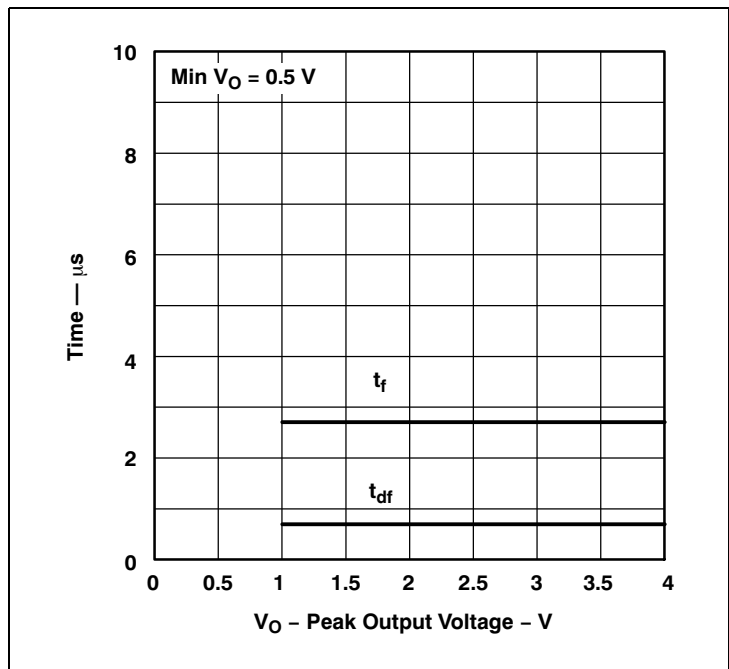


Figure 24:
Falling Edge Dynamic Characteristics vs. Peak Output Voltage

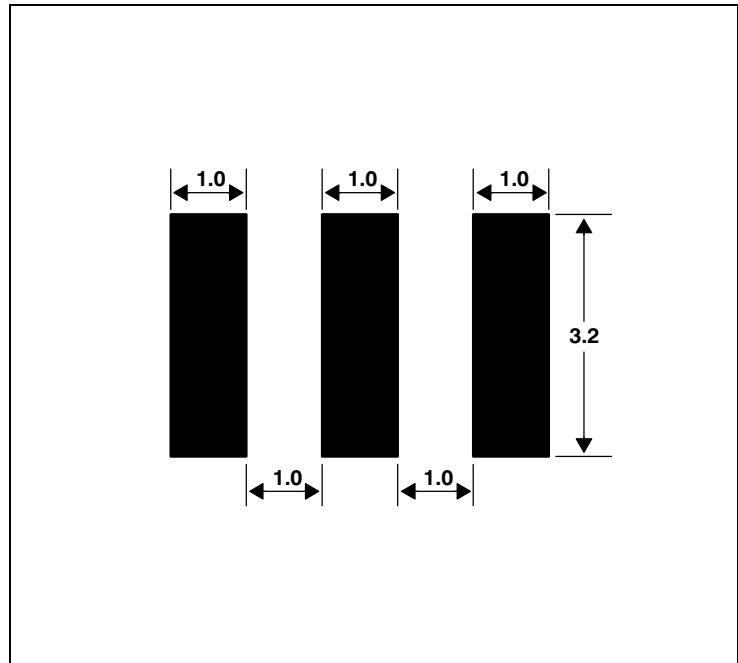


Application Information

PCB Pad Layout

Suggested PCB pad layout guidelines for the SM surface mount package are shown in [Figure 25](#).

Figure 25:
Suggested SM Package PCB Layout



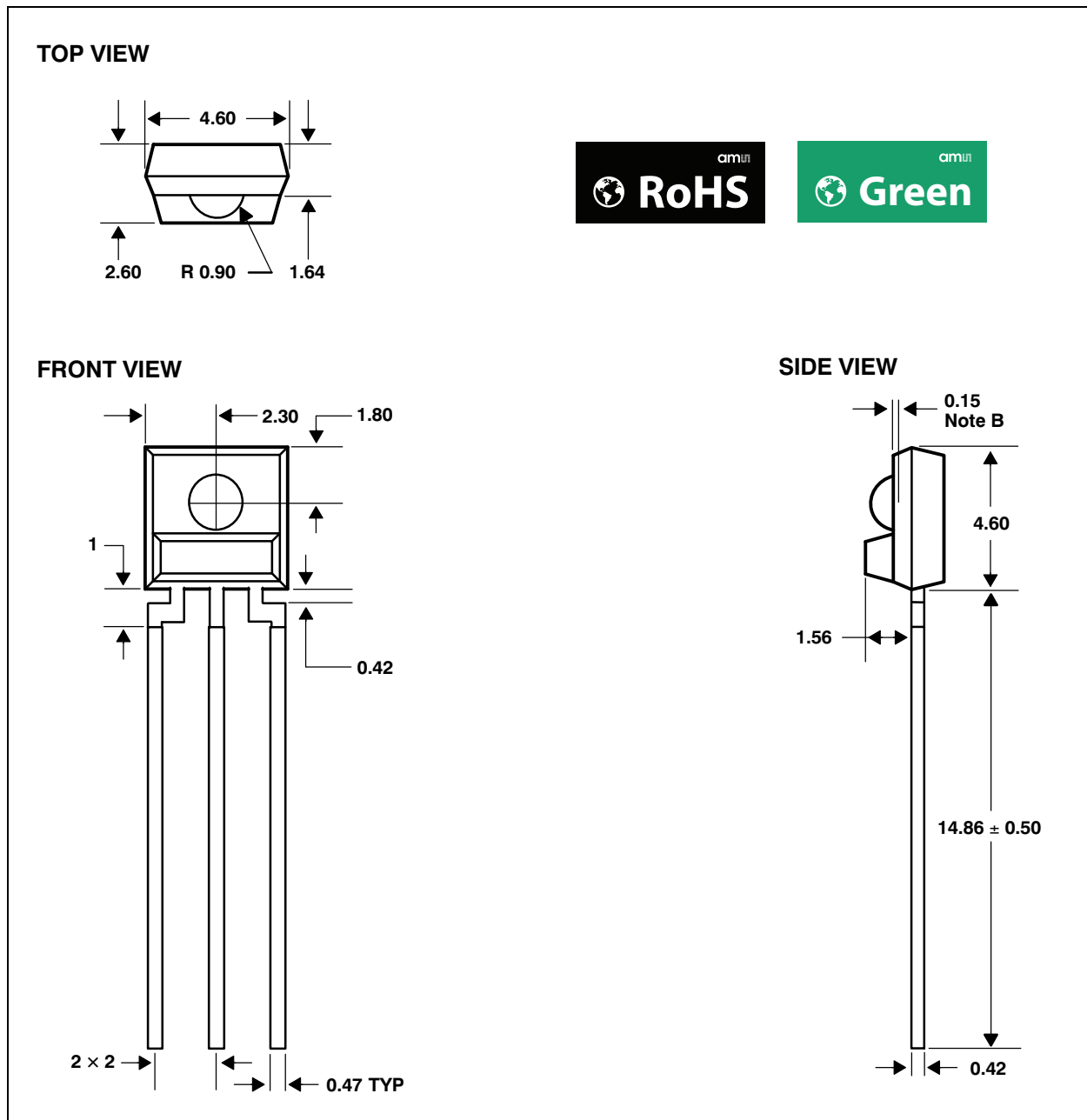
Note(s):

1. All linear dimensions are in millimeters.
2. This drawing is subject to change without notice.

Packaging Mechanical Data

The TSL12S, TSL13S, and TSL14S are supplied in a clear 3-lead through-hole package with a molded lens.

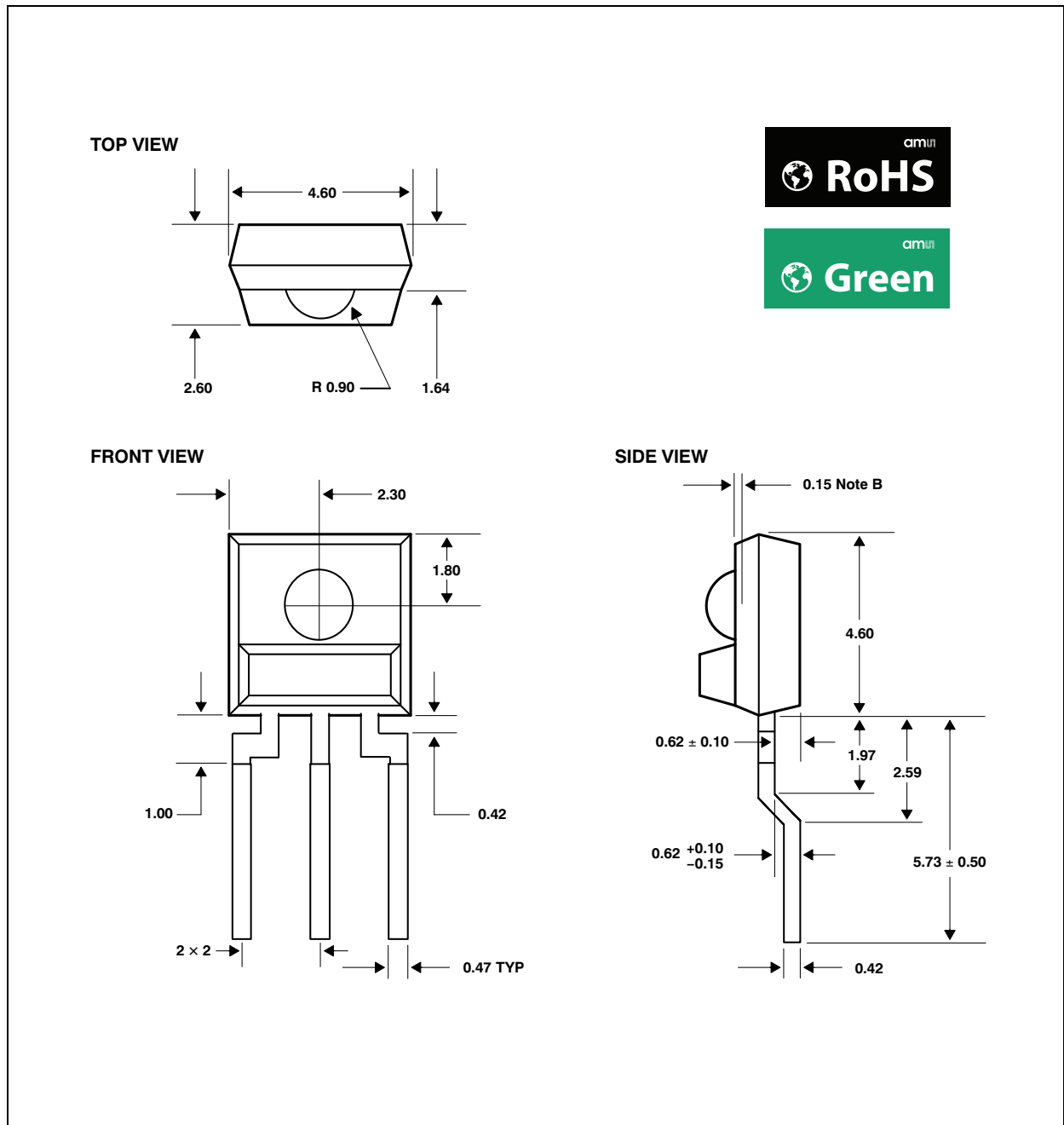
Figure 26:
Package S - Plastic Single-In-Line Side-Looker Package Configuration



Note(s):

1. All linear dimensions are in millimeters; tolerance is ± 0.25 mm unless otherwise stated.
2. Dimension is to center of lens arc, which is located below the package face.
3. The 0.50 mm \times 0.50 mm integrated photodiode active area is typically located in the center of the lens and 0.97 mm below the top of the lens surface.
4. Index of refraction of clear plastic is 1.55.
5. Lead finish for TSL1xS-LF: solder dipped, 100% Sn.
6. This drawing is subject to change without notice.

Figure 27:
Package SM - Surface Mount Side-Looker Package Configuration



Note(s):

1. All linear dimensions are in millimeters; tolerance is ± 0.25 mm unless otherwise stated.
2. Dimension is to center of lens arc, which is located below the package face.
3. The integrated photodiode active area is typically located in the center of the lens and 0.97mm below the top of the lens surface.
4. Index of refraction of clear plastic is 1.55.
5. Lead finish for TSL1xSM-LF: solder dipped, 100% Sn.
6. This drawing is subject to change without notice.

Ordering & Contact Information

Figure 28:
Ordering Information

Ordering Code	Device	Package Designator	Package-Leads	T _A
TSL12S-LF	TSL12S	S	3-lead Sidelooker - Lead (Pb) Free	0°C to 70°C
TSL12SM-LF	TSL12S	SM	3-lead Surface-Mount Sidelooker - Lead (Pb) Free	0°C to 70°C
TSL13S-LF	TSL13S	S	3-lead Sidelooker - Lead (Pb) Free	0°C to 70°C
TSL13SM-LF	TSL13S	SM	3-lead Surface-Mount Sidelooker - Lead (Pb) Free	0°C to 70°C
TSL14S-LF	TSL14S	S	3-lead Sidelooker - Lead (Pb) Free	0°C to 70°C
TSL14SM-LF	TSL14S	SM	3-lead Surface-Mount Sidelooker - Lead (Pb) Free	0°C to 70°C

Buy our products or get free samples online at:

www.ams.com/ICdirect

Technical Support is available at:

www.ams.com/Technical-Support

Provide feedback about this document at:

www.ams.com/Document-Feedback

For further information and requests, e-mail us at:

ams_sales@ams.com

For sales offices, distributors and representatives, please visit:

www.ams.com/contact

Headquarters

ams AG
Tobelbaderstrasse 30
8141 Premstaetten
Austria, Europe

Tel: +43 (0) 3136 500 0

Website: www.ams.com

RoHS Compliant & ams Green Statement

RoHS: The term RoHS compliant means that ams AG products fully comply with current RoHS directives. Our semiconductor products do not contain any chemicals for all 6 substance categories, including the requirement that lead not exceed 0.1% by weight in homogeneous materials. Where designed to be soldered at high temperatures, RoHS compliant products are suitable for use in specified lead-free processes.

ams Green (RoHS compliant and no Sb/Br): ams Green defines that in addition to RoHS compliance, our products are free of Bromine (Br) and Antimony (Sb) based flame retardants (Br or Sb do not exceed 0.1% by weight in homogeneous material).

Important Information: The information provided in this statement represents ams AG knowledge and belief as of the date that it is provided. ams AG bases its knowledge and belief on information provided by third parties, and makes no representation or warranty as to the accuracy of such information. Efforts are underway to better integrate information from third parties. ams AG has taken and continues to take reasonable steps to provide representative and accurate information but may not have conducted destructive testing or chemical analysis on incoming materials and chemicals. ams AG and ams AG suppliers consider certain information to be proprietary, and thus CAS numbers and other limited information may not be available for release.

Copyrights & Disclaimer

Copyright ams AG, Tobelbader Strasse 30, 8141 Premstaetten, Austria-Europe. Trademarks Registered. All rights reserved. The material herein may not be reproduced, adapted, merged, translated, stored, or used without the prior written consent of the copyright owner.

Devices sold by ams AG are covered by the warranty and patent indemnification provisions appearing in its General Terms of Trade. ams AG makes no warranty, express, statutory, implied, or by description regarding the information set forth herein. ams AG reserves the right to change specifications and prices at any time and without notice. Therefore, prior to designing this product into a system, it is necessary to check with ams AG for current information. This product is intended for use in commercial applications. Applications requiring extended temperature range, unusual environmental requirements, or high reliability applications, such as military, medical life-support or life-sustaining equipment are specifically not recommended without additional processing by ams AG for each application. This product is provided by ams AG "AS IS" and any express or implied warranties, including, but not limited to the implied warranties of merchantability and fitness for a particular purpose are disclaimed.

ams AG shall not be liable to recipient or any third party for any damages, including but not limited to personal injury, property damage, loss of profits, loss of use, interruption of business or indirect, special, incidental or consequential damages, of any kind, in connection with or arising out of the furnishing, performance or use of the technical data herein. No obligation or liability to recipient or any third party shall arise or flow out of ams AG rendering of technical or other services.

Document Status

Document Status	Product Status	Definition
Product Preview	Pre-Development	Information in this datasheet is based on product ideas in the planning phase of development. All specifications are design goals without any warranty and are subject to change without notice
Preliminary Datasheet	Pre-Production	Information in this datasheet is based on products in the design, validation or qualification phase of development. The performance and parameters shown in this document are preliminary without any warranty and are subject to change without notice
Datasheet	Production	Information in this datasheet is based on products in ramp-up to full production or full production which conform to specifications in accordance with the terms of ams AG standard warranty as given in the General Terms of Trade
Datasheet (discontinued)	Discontinued	Information in this datasheet is based on products which conform to specifications in accordance with the terms of ams AG standard warranty as given in the General Terms of Trade, but these products have been superseded and should not be used for new designs

Revision Information

Changes from TAOS051E (2007-Sep) to current revision 1-00 (2016-May-02)	Page
Content of TAOS datasheet was converted to the latest ams design	
Added Figure 1	1
Updated note under Figure 26	18
Updated Figure 28	20

Note(s):

1. Page and figure numbers for the previous version may differ from page and figure numbers in the current revision
2. Correction of typographical errors is not explicitly mentioned.

Content Guide

1	General Description
1	Key Benefits & Features
2	Block Diagram
3	Pin Assignment
4	Absolute Maximum Ratings
5	Electrical Characteristics
5	Operating Conditions
9	Parameter Measurement Information
10	Typical Operating Characteristics
11	TSL12S
13	TSL13S
15	TSL14S
17	Application Information
17	PCB Pad Layout
18	Packaging Mechanical Data
20	Ordering & Contact Information
21	RoHS Compliant & ams Green Statement
22	Copyrights & Disclaimer
23	Document Status
24	Revision Information