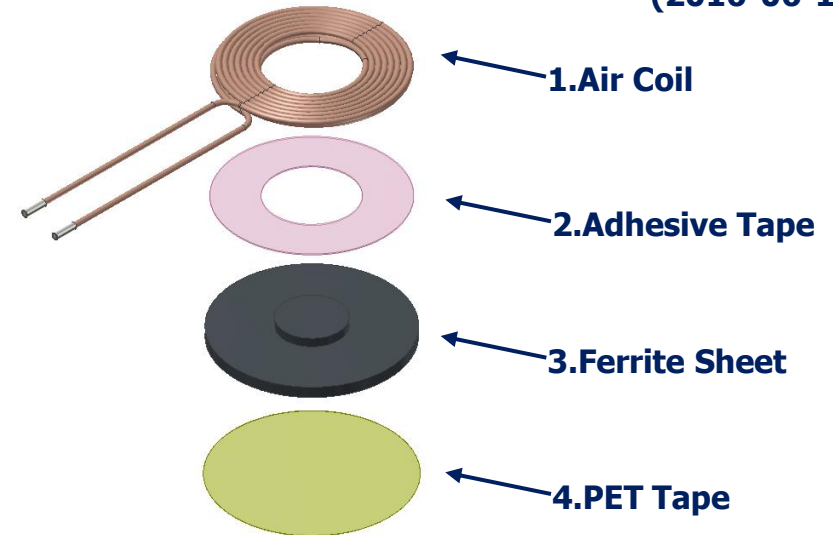
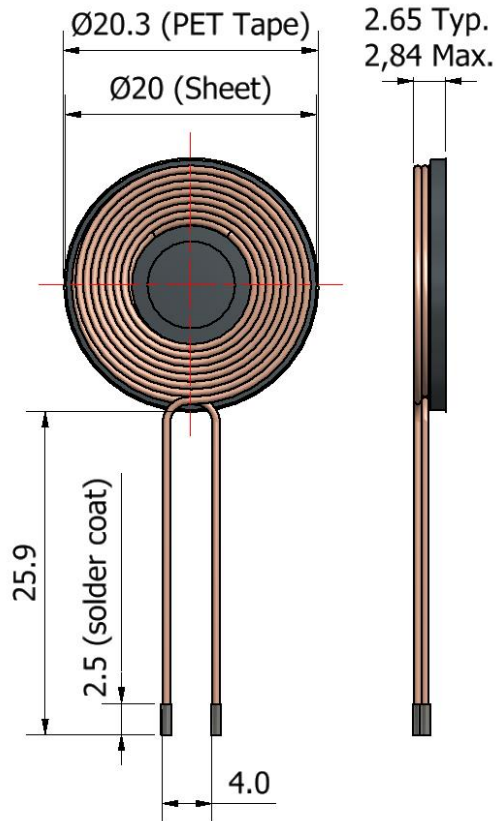


(2016-06-14)

= Dimension of coil unit =



= Electrical Characteristics =

- L_s [uH] : 6.20 uH +/- 5% @100kHz
- R_s [Ohm] : 0.095 Ω +/-10% @100kHz
- R_{dc} [Ohm] : 0.08 Ω typ