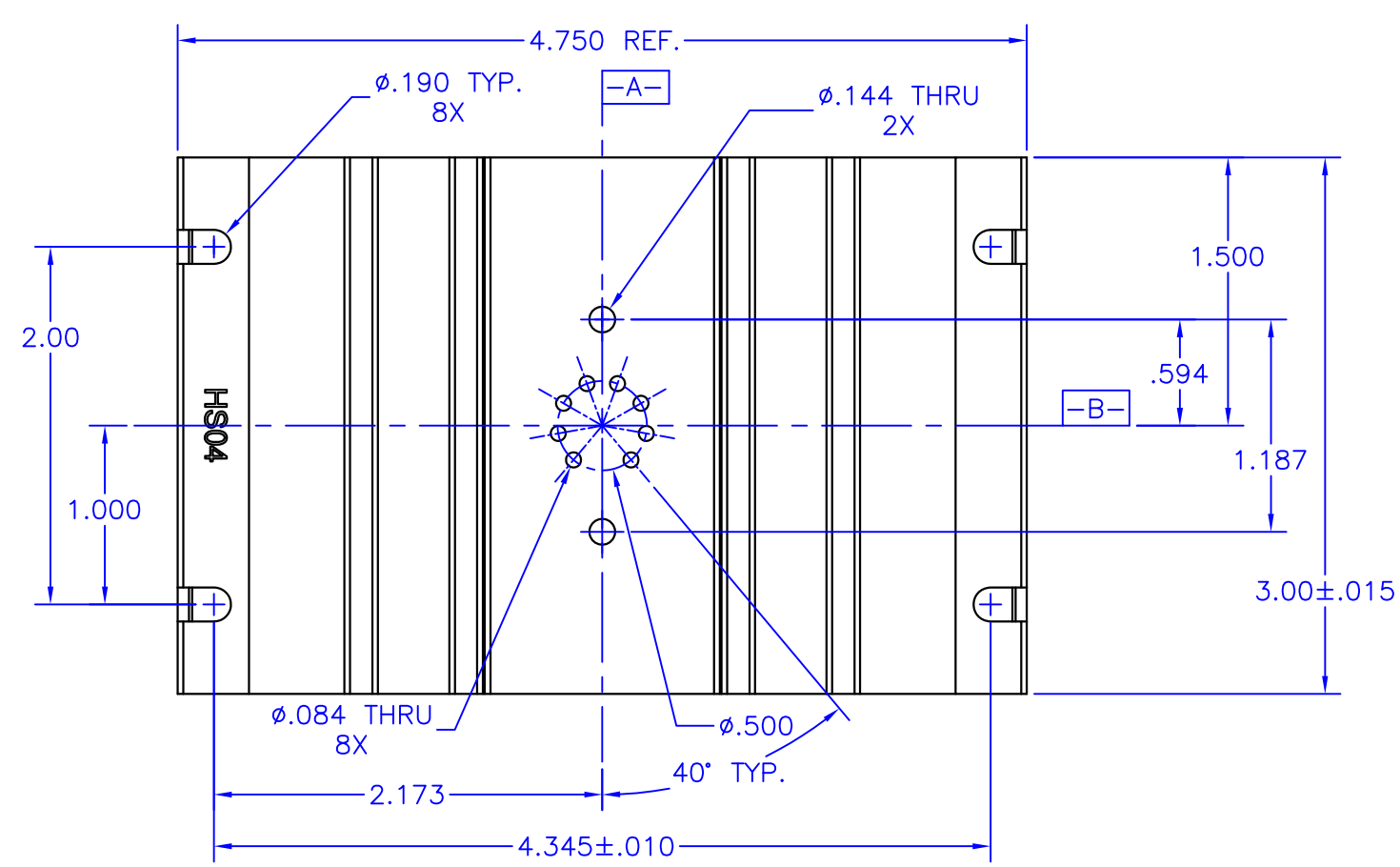
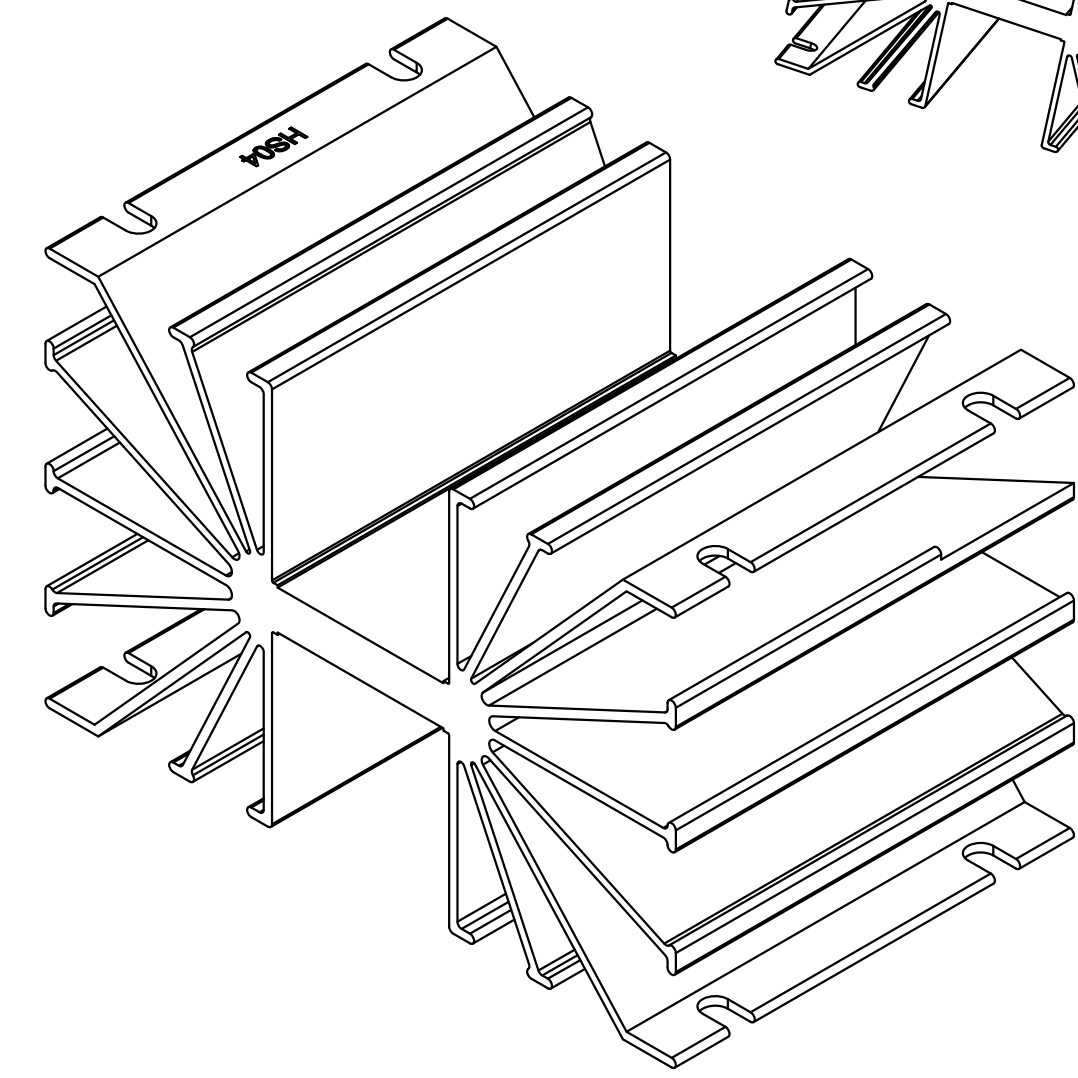
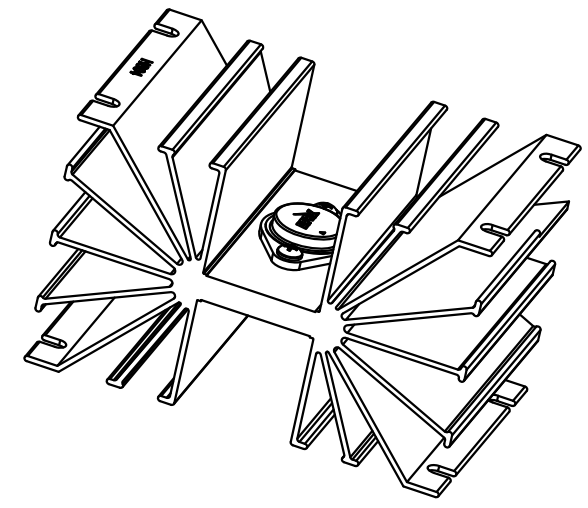
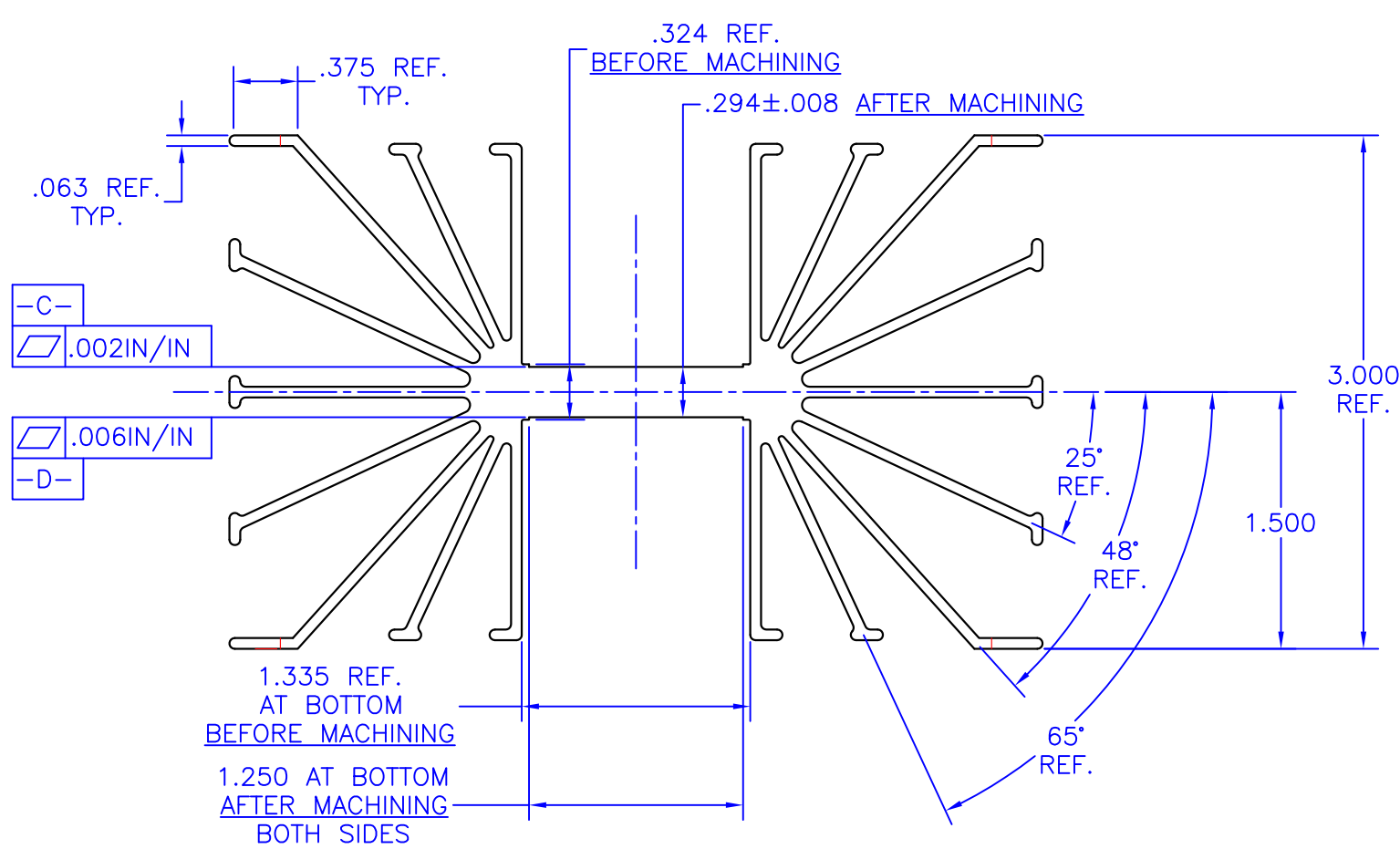


8 7 6 5 4 3 2 1

E
D
C
B
A



NOTES:

1. Unless otherwise noted, all dimensions are in inches.
2. Break all sharp edges, de-burr & remove loose chips.
3. Material: 6063-T5 aluminum (AAVID Thermalloy extrusion 60650)
4. Finish: Anodize per MIL-A-8625, Type II, Class 2, Black
Typical breakdown voltage > 300V
5. Mark with contrasting ink as shown, if specified by P.O.
6. Approximate Weight: 11.6 oz [329g]
7. Thermal rating: 0.95 °C/W

| | | | | | |
|---|--|-----------------------------|--|-----------------|--|
| TOLERANCES - UNLESS OTHERWISE SPECIFIED | | TITLE: HEATSINK, TO-3 | | MODEL: HS04 | |
| .XX = ±.01 [254] | | SUBJECT: MECHANICAL DRAWING | | REVISION: K | |
| .XXX = ±.005 [127] | | ENGINEER: D-M | | DATE: 15OCT13 | |
| ANG. = ±5° | | DRAWN BY: RMOR | | FILE NAME: HS04 | |
| | | DCA: 13556 | | SHEET: 1 OF 1 | |

8 7 6 5 4 3 2 1