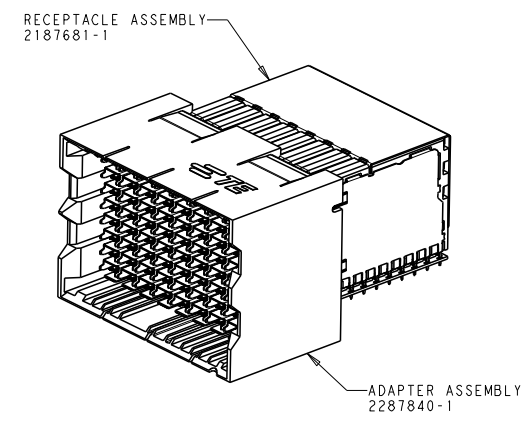
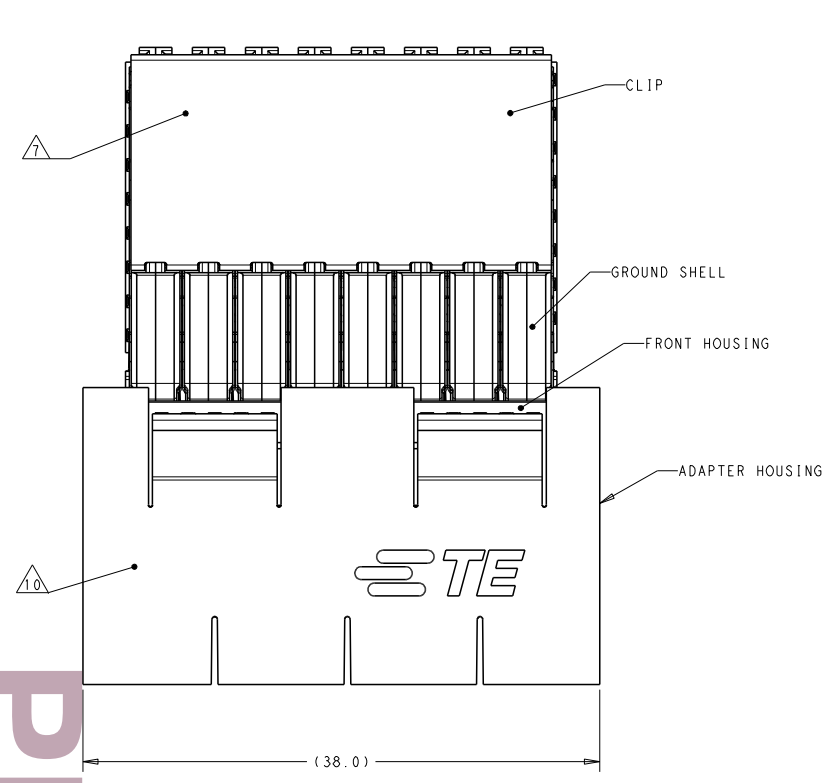
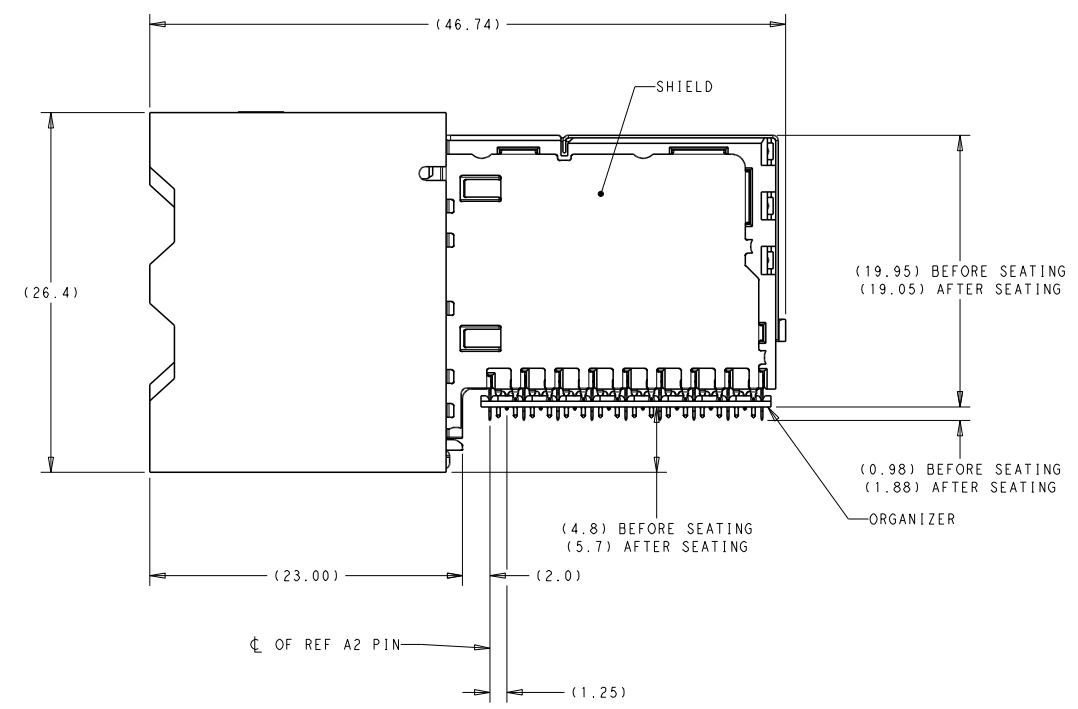
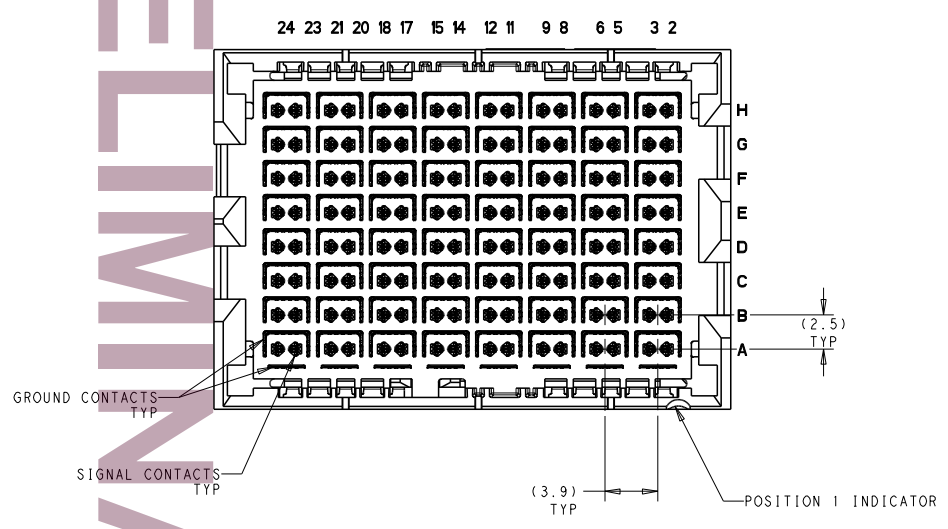


REVISIONS				
#	LT#	DESCRIPTION	DATE	OWN APVD
1		RELEASED PER ECO-17-000464	23JAN2017	JM MH



- 1 CONTACTS AND SHIELDS - COPPER ALLOY
 CLIP - STAINLESS STEEL
 HOUSINGS, GROUND SHELLS, AND ORGANIZER - THERMOPLASTIC, UL 94V-0, BLACK
- 2 CONFORMS TO THE REQUIREMENTS OF TE PRODUCT SPECIFICATION 108-32112
 BASED ON TELCORDIA GR-1217-CORE FOR SYSTEM QUALITY LEVEL III.
 APPLICATIONS IN CONTROLLED ENVIRONMENTS (CENTRAL OFFICE).
 COMPLIANT PIN AREA: 0.5µm MIN MATTE TIN.
- 3 GROUND PLATED THRU HOLE REQUIREMENTS:
 FINISHED HOLE = $\varnothing 0.37 \pm 0.05$
 HOLE SIZE PRIOR TO PLATING = $\varnothing 0.450 \pm 0.025$
 COPPER THICKNESS = 0.025 MIN
 IMMERSION TIN IF APPLICABLE = (0.00095)
- 4 SIGNAL PLATED THRU HOLE REQUIREMENTS:
 FINISHED HOLE = $\varnothing 0.29 \pm 0.05$
 HOLE SIZE PRIOR TO PLATING = $\varnothing 0.368 \pm 0.025$ (#79 DRILL)
 COPPER THICKNESS = 0.025 MIN
 IMMERSION TIN IF APPLICABLE = (0.00095)
- 5 S1 VIA PLATED THRU HOLE REQUIREMENTS:
 FINISHED HOLE = $\varnothing 0.22$
 HOLE SIZE PRIOR TO PLATING = $\varnothing 0.300 \pm 0.025$
 COPPER THICKNESS = 0.025 MIN
 IMMERSION TIN IF APPLICABLE = (0.00095)
- 6 S1 VIAS & SIGNAL HOLES:
 PTH DIMENSIONS APPLY TO THE TOP 1.00mm OF THE PCB THICKNESS FROM THE
 CONNECTOR MOUNTING SIDE.
 GROUND HOLES:
 PTH DIMENSIONS APPLY TO THE TOP 1.25mm OF THE PCB THICKNESS FROM THE
 CONNECTOR MOUNTING SIDE.
- 7 CONNECTOR MARKED WITH PART NUMBER, DATE CODE, AND "85 OHM" IN
 APPROXIMATE AREA SHOWN.
- 8 DATUMS AND BASIC DIMENSIONS ESTABLISHED BY CUSTOMER
- 9 APPLIES TO FINISHED HOLE DIAMETER.
- 10 CONNECTOR MARKED WITH ASSEMBLY PART NUMBER, DATE CODE, AND "85 OHM"
 IN APPROXIMATE AREA SHOWN.

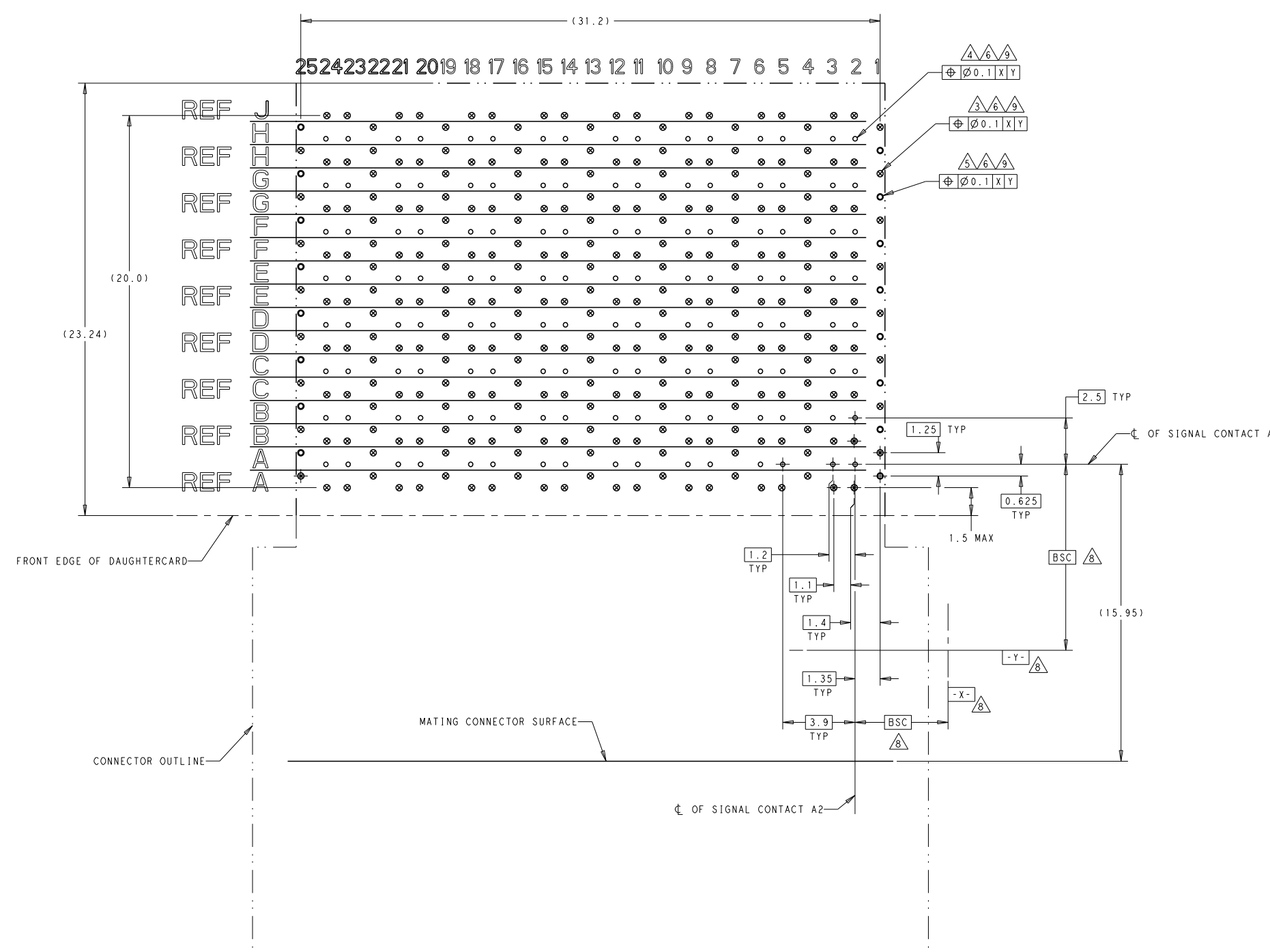


PRELIMINARY

2287841-1
 PART NUMBER

THIS DRAWING IS A CONTROLLED DOCUMENT.		OWN J. McCLINTON 26SEP2014	TE Connectivity	
DIMENSIONS: mm		CHK J. McCLELLAN 26SEP2014	RIGHT ANGLE ADAPTER ASSEMBLY, 8 PAIR 8 COLUMN, 85 OHM DPO, STRADA WHISPER	
TOLERANCES UNLESS OTHERWISE SPECIFIED:		APVD J. McCLELLAN 26SEP2014	SIZE CAGE CODE DRAWING NO RESTRICTED TO	
0 PLC ±	1 PLC ±	PRODUCT SPEC 2	A1 - C-2287841	
2 PLC ±0.13	3 PLC ±	APPLICATION SPEC 114-32120	SCALE 4:1 SHEET 1 of 2 REV A	
4 PLC ±	ANGLES ±	WEIGHT -	Customer Drawing	

REVISIONS				
#	LTR	DESCRIPTION	DATE	APVD
-	-	SEE SHEET 1	-	-



RECOMMENDED PCB LAYOUT
 SINGLE CONNECTOR (NON-STACKING)
 COMPONENT SIDE SHOWN
 SCALE 8:1

- = SIGNAL
- ⊗ = GROUND
- ⊗ = SIGNAL INTEGRITY VIA TO GROUND

THIS DRAWING IS A CONTROLLED DOCUMENT.		OWN J. McCLELLAN	26SEP2014	
DIMENSIONS:		CHK J. McCLELLAN	26SEP2014	
mm	TOLERANCES UNLESS OTHERWISE SPECIFIED:	APVD J. McCLELLAN	26SEP2014	NAME
	0 PLC ± 1 PLC ± 2 PLC ±0.13 3 PLC ± 4 PLC ± ANGLES ±	PRODUCT SPEC		RIGHT ANGLE ADAPTER ASSEMBLY, 8 PAIR 8 COLUMN, 85 OHM DPO, STRADA WHISPER
MATERIAL	FINISH	APPLICATION SPEC	WEIGHT	SIZE
-	-	Customer Drawing	-	A1
		CAGE CODE	DRAWING NO	RESTRICTED TO
		-	©=2287841	-
		SCALE	SHEET	REV
		1:1	2 of 2	A