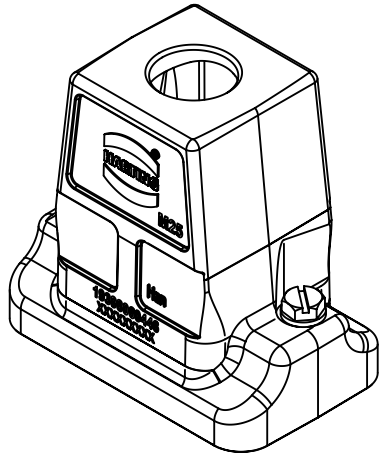
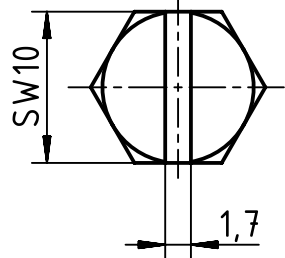


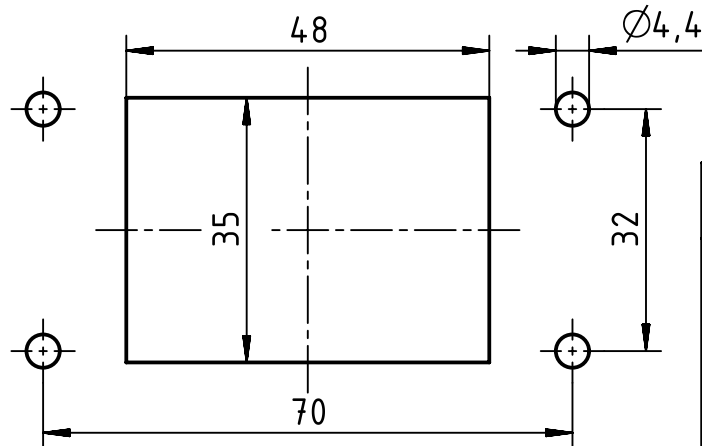
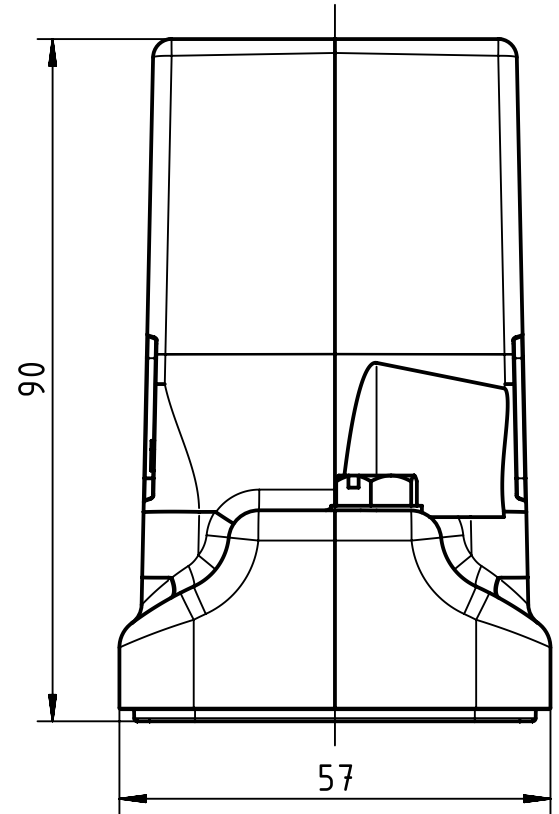
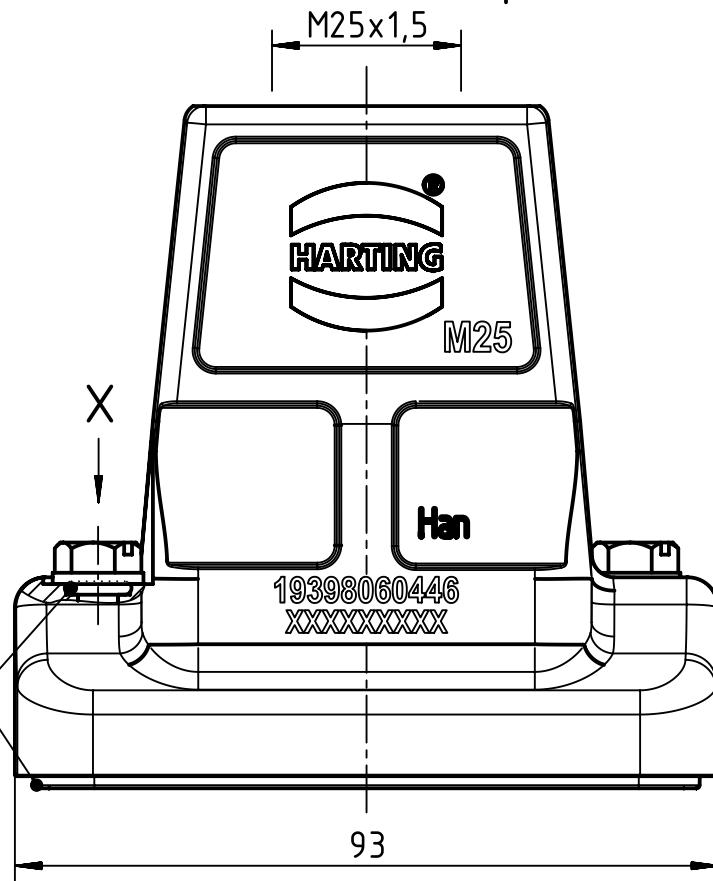
1 2 3 4 5 6



X (2:1)



Panel cut out



	All Dimensions in mm Original Size DIN A4		Scale	Free size tol.		Ref.	
	All rights reserved Department EL PD - CN		1:1			Sub.	
HARTING (Zhuhai) Manufacturing Co., Ltd. 519085 Zhuhai, China		Created by	Inspected by	Standardisation	Date	State	
		LONGL	WENE	SCHMIDTM	2017-03-20	Final Release	
		Title				Doc-Key / ECM-Nr.	
		Han 6HP Direct/EMV-HTE-M25				100664940/UGD/002/C	
		Type	Number		Rev.		Page
		TB	19 39 806 0446		C		1/1