

International Flathead™ Low Profile Transformers • Printed Circuit Mount

For Critical Height and International Safety Requirements



Signal's IF transformers utilize unique insulating techniques including full encapsulation to meet international safety requirements. These transformers are ideal for low power applications where minimum height and reduced magnetic radiation are required.

General Specifications

- Power - 2 VA to 30 VA
- Dielectric Strength - 4000 Vrms Hipot
- Dual Primaries - 115/230 V, 50/60 Hz
- Dual Secondaries - Series or parallel
- Height - 0.69" to 1.39" (17.5 mm to 35.3 mm) height
- Insulation System - Class B, 130° C

Agency Certifications

- UL 1446 (E66312)
- UL recognized to UL 506 / UL 5085-2, File # E63829
- CSA certified to C22.2 #66.1, File # 221070
- VDE certified to VDE 0805 / EN 60950, File # 8325



| Part Number | VA | | Secondary RMS Rating | |
|-------------|------|----------------|----------------------|--|
| | Size | Series | Parallel | |
| IF-2-10 | 2 | 10VCT @ 200mA | 5V @ 400mA | |
| IF-2-12 | 2 | 12VCT @ 170mA | 6V @ 340mA | |
| IF-2-16 | 2 | 16VCT @ 125mA | 8V @ 250mA | |
| IF-2-20 | 2 | 20VCT @ 100mA | 10V @ 200mA | |
| IF-2-24 | 2 | 24VCT @ 85mA | 12V @ 170mA | |
| IF-2-30 | 2 | 30VCT @ 70mA | 15V @ 140mA | |
| IF-2-34 | 2 | 34VCT @ 60mA | 17V @ 120mA | |
| IF-2-40 | 2 | 40VCT @ 50mA | 20V @ 100mA | |
| IF-2-56 | 2 | 56VCT @ 40mA | 28V @ 80mA | |
| IF-2-230 | 2 | 230VCT @ 9 mA | 115V @ 18mA | |
| IF-4-10 | 4 | 10VCT @ 400 mA | 5V @ 800mA | |
| IF-4-12 | 4 | 12VCT @ 335mA | 6V @ 670mA | |
| IF-4-16 | 4 | 16VCT @ 250mA | 8V @ 500mA | |
| IF-4-20 | 4 | 20VCT @ 200mA | 10V @ 400mA | |
| IF-4-24 | 4 | 24VCT @ 170mA | 12V @ 340mA | |
| IF-4-30 | 4 | 30VCT @ 135mA | 15V @ 270mA | |
| IF-4-34 | 4 | 34VCT @ 120mA | 17V @ 240mA | |
| IF-4-40 | 4 | 40VCT @ 100mA | 20V @ 200mA | |
| IF-4-56 | 4 | 56VCT @ 70mA | 28V @ 140mA | |
| IF-4-230 | 4 | 230VCT @ 18mA | 115V @ 36mA | |
| IF-6-10 | 6 | 10VCT @ 600mA | 5V @ 1.20A | |
| IF-6-12 | 6 | 12VCT @ 500mA | 6V @ 1.00A | |
| IF-6-16 | 6 | 16VCT @ 375mA | 8V @ 750mA | |
| IF-6-20 | 6 | 20VCT @ 300mA | 10V @ 600mA | |
| IF-6-24 | 6 | 24VCT @ 250mA | 12V @ 500mA | |
| IF-6-30 | 6 | 30VCT @ 200mA | 15V @ 400mA | |
| IF-6-34 | 6 | 34VCT @ 180mA | 17V @ 360mA | |
| IF-6-40 | 6 | 40VCT @ 150mA | 20V @ 300mA | |
| IF-6-56 | 6 | 56VCT @ 110mA | 28V @ 220mA | |
| IF-6-230 | 6 | 230VCT @ 25mA | 115V @ 50mA | |
| IF-10-10 | 10 | 10VCT @ 1.00A | 5V @ 2.00A | |
| IF-10-12 | 10 | 12VCT @ 835mA | 6V @ 1.67A | |
| IF-10-16 | 10 | 16VCT @ 625mA | 8V @ 1.25A | |
| IF-10-20 | 10 | 20VCT @ 500mA | 10V @ 1.00A | |
| IF-10-24 | 10 | 24VCT @ 420mA | 12V @ 840mA | |
| IF-10-30 | 10 | 30VCT @ 335mA | 15V @ 670mA | |
| IF-10-34 | 10 | 34VCT @ 300mA | 17V @ 600mA | |
| IF-10-40 | 10 | 40VCT @ 250mA | 20V @ 500mA | |
| IF-10-56 | 10 | 56VCT @ 180mA | 28V @ 360mA | |
| IF-10-230 | 10 | 230VCT @ 45mA | 115V @ 90mA | |

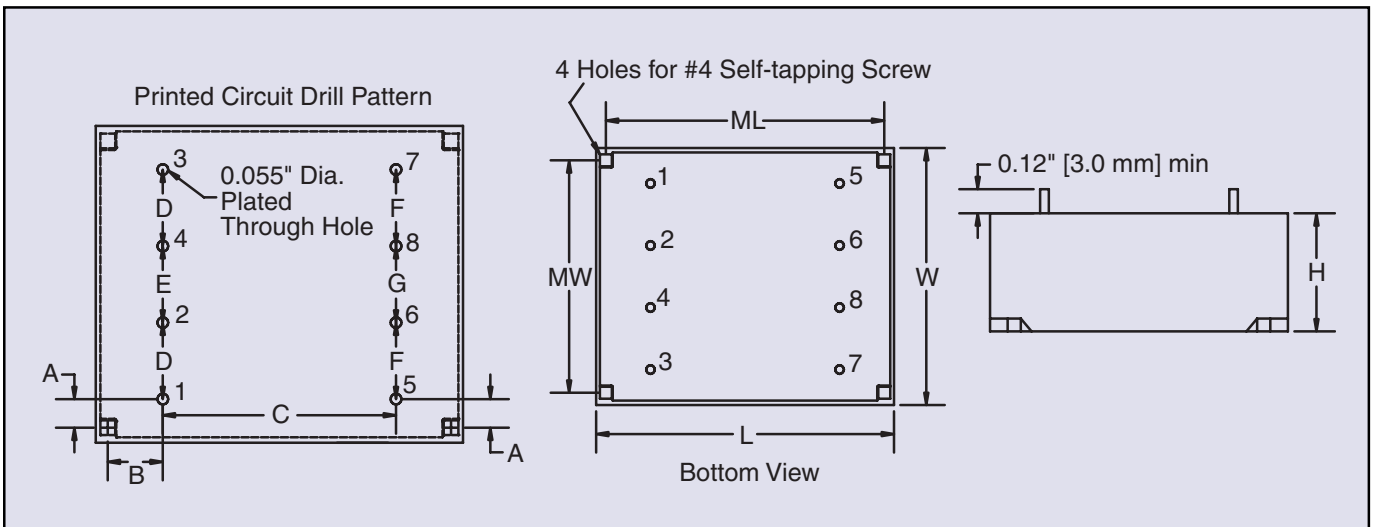
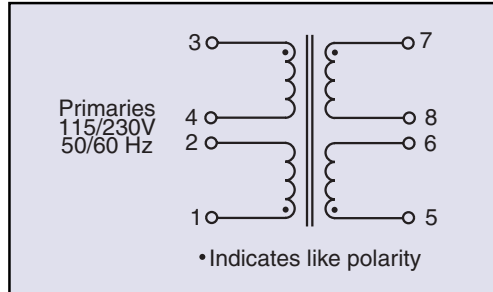
| Part Number | VA | | Secondary RMS Rating | |
|-------------|------|----------------|----------------------|--|
| | Size | Series | Parallel | |
| IF-14-10 | 14 | 10VCT @ 1.40A | 5V @ 2.80A | |
| IF-14-12 | 14 | 12VCT @ 1.20A | 6V @ 2.40A | |
| IF-14-16 | 14 | 16VCT @ 875mA | 8V @ 1.75A | |
| IF-14-20 | 14 | 20VCT @ 700mA | 10V @ 1.40A | |
| IF-14-24 | 14 | 24VCT @ 600mA | 12V @ 1.20A | |
| IF-14-30 | 14 | 30VCT @ 470mA | 15V @ 940mA | |
| IF-14-34 | 14 | 34VCT @ 415mA | 17V @ 830mA | |
| IF-14-40 | 14 | 40VCT @ 350mA | 20V @ 700mA | |
| IF-14-56 | 14 | 56VCT @ 250mA | 28V @ 500mA | |
| IF-14-230 | 14 | 230VCT @ 60mA | 115V @ 120mA | |
| IF-18-10 | 18 | 10VCT @ 1.80A | 5V @ 3.60A | |
| IF-18-12 | 18 | 12VCT @ 1.50A | 6V @ 3.00A | |
| IF-18-16 | 18 | 16VCT @ 1.15A | 8V @ 2.30A | |
| IF-18-20 | 18 | 20VCT @ 900mA | 10V @ 1.80A | |
| IF-18-24 | 18 | 24VCT @ 750mA | 12V @ 1.50A | |
| IF-18-30 | 18 | 30VCT @ 600mA | 15V @ 1.20A | |
| IF-18-34 | 18 | 34VCT @ 530mA | 17V @ 1.06A | |
| IF-18-40 | 18 | 40VCT @ 450mA | 20V @ 900mA | |
| IF-18-56 | 18 | 56VCT @ 320mA | 28V @ 640mA | |
| IF-18-230 | 18 | 230VCT @ 80mA | 115V @ 160mA | |
| IF-24-10 | 24 | 10VCT @ 2.40A | 5V @ 4.80A | |
| IF-24-12 | 24 | 12VCT @ 2.00A | 6V @ 4.00A | |
| IF-24-16 | 24 | 16VCT @ 1.50A | 8V @ 3.00A | |
| IF-24-20 | 24 | 20VCT @ 1.20A | 10V @ 2.40A | |
| IF-24-24 | 24 | 24VCT @ 1.00A | 12V @ 2.00A | |
| IF-24-30 | 24 | 30VCT @ 800mA | 15V @ 1.60A | |
| IF-24-34 | 24 | 34VCT @ 700mA | 17V @ 1.40A | |
| IF-24-40 | 24 | 40VCT @ 600mA | 20V @ 1.20A | |
| IF-24-56 | 24 | 56VCT @ 430mA | 28V @ 860mA | |
| IF-24-230 | 24 | 230VCT @ 105mA | 115V @ 210mA | |
| IF-30-10 | 30 | 10VCT @ 3.00A | 5V @ 6.00A | |
| IF-30-12 | 30 | 12VCT @ 2.50A | 6V @ 5.00A | |
| IF-30-16 | 30 | 16VCT @ 1.90A | 8V @ 3.80A | |
| IF-30-20 | 30 | 20VCT @ 1.50A | 10V @ 3.00A | |
| IF-30-24 | 30 | 24VCT @ 1.25A | 12V @ 2.50A | |
| IF-30-30 | 30 | 30VCT @ 1.00A | 15V @ 2.00A | |
| IF-30-34 | 30 | 34VCT @ 900mA | 17V @ 1.80A | |
| IF-30-40 | 30 | 40VCT @ 750mA | 20V @ 1.50A | |
| IF-30-56 | 30 | 56VCT @ 550mA | 28V @ 1.10A | |
| IF-30-230 | 30 | 230VCT @ 130mA | 115V @ 260mA | |

Custom versions available upon request.

©2008 Signal Transformer — Specification subject to change without notice. 07.08

International Flathead™ Low Profile Transformers • Printed Circuit Mount

For Critical Height and International Safety Requirements



| VA | L | W | H | ML | MW | A | B | C | D | E | F | G | Weight |
|------|----------------|----------------|----------------|----------------|----------------|---------------|---------------|----------------|----------------|----------------|----------------|----------------|----------------|
| Size | Inches (mm) | | | | | | | | | | | | oz (kg) |
| 2 | 2.09 (53.0) | 1.73 (44.0) | 0.69 (17.6) | 1.87 (47.5) | 1.48 (37.5) | 0.05 (1.3) | 0.25 (6.3) | 1.38 (35.0) | 0.39 (10.0) | 0.39 (10.0) | 0.59 (15.0) | 0.19 (5.0) | 4.6 (0.13) |
| 4 | 2.09 (53.0) | 1.73 (44.0) | 0.77 (19.6) | 1.87 (47.5) | 1.48 (37.5) | 0.05 (1.3) | 0.25 (6.3) | 1.38 (35.0) | 0.39 (10.0) | 0.39 (10.0) | 0.59 (15.0) | 0.19 (5.0) | 5.4 (0.15) |
| 6 | 2.09 (53.0) | 1.73 (44.0) | 0.89 (22.6) | 1.87 (47.5) | 1.48 (37.5) | 0.05 (1.3) | 0.25 (6.3) | 1.38 (35.0) | 0.39 (10.0) | 0.39 (10.0) | 0.59 (15.0) | 0.19 (5.0) | 6.9 (0.20) |
| 10 | 2.66 (67.6) | 2.24 (57.0) | 0.89 (22.6) | 2.46 (62.5) | 1.97 (50.0) | 0.28 (7.1) | 0.34 (8.8) | 1.77 (45.0) | 0.59 (15.0) | 0.43 (10.9) | 0.39 (10.0) | 0.63 (15.9) | 10.3 (0.29) |
| 14 | 2.66 (67.6) | 2.24 (57.0) | 0.96 (24.3) | 2.46 (62.5) | 1.97 (50.0) | 0.28 (7.1) | 0.34 (8.8) | 1.77 (45.0) | 0.59 (15.0) | 0.43 (10.9) | 0.39 (10.0) | 0.63 (15.9) | 11.9 (0.34) |
| 18 | 2.66 (67.6) | 2.24 (57.0) | 1.09 (27.6) | 2.46 (62.5) | 1.97 (50.0) | 0.28 (7.1) | 0.34 (8.8) | 1.77 (45.0) | 0.59 (15.0) | 0.43 (10.9) | 0.39 (10.0) | 0.63 (15.9) | 14.1 (0.40) |
| 24 | 2.68 (68.0) | 2.26 (57.5) | 1.23 (31.3) | 2.46 (62.5) | 1.97 (50.0) | 0.28 (7.2) | 0.34 (8.8) | 1.77 (45.0) | 0.59 (15.0) | 0.43 (10.9) | 0.39 (10.0) | 0.63 (15.9) | 16.5 (0.47) |
| 30 | 2.68 (68.0) | 2.26 (57.5) | 1.39 (35.3) | 2.46 (62.5) | 1.97 (50.0) | 0.28 (7.2) | 0.34 (8.8) | 1.77 (45.0) | 0.59 (15.0) | 0.43 (10.9) | 0.39 (10.0) | 0.63 (15.9) | 19.7 (0.58) |

Custom versions available upon request.

©2008 Signal Transformer — Specification subject to change without notice. 07.08